



www.fisher-price.com

N1450

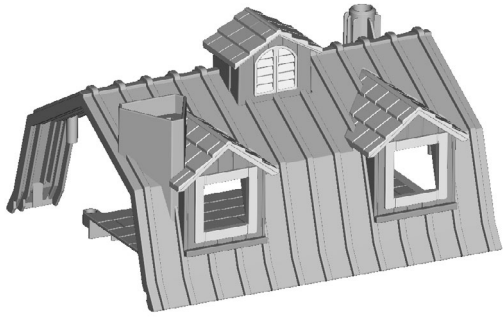


Airplane, tracks and train sold separately  
and subject to availability.

# GeoTrax™

Transportation System

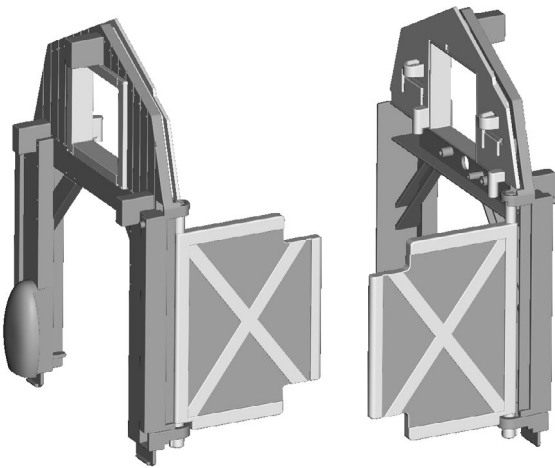
# Assembled Parts



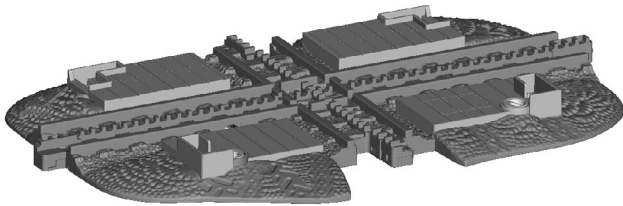
**Roof**



**Windmill and Smokestack Track**



**2 Barn Walls**



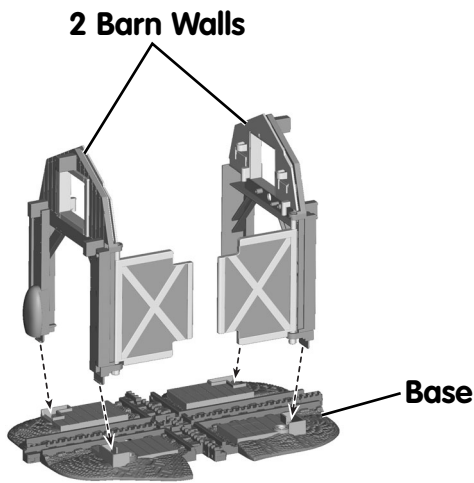
**Base**



**2 Air Tracks**

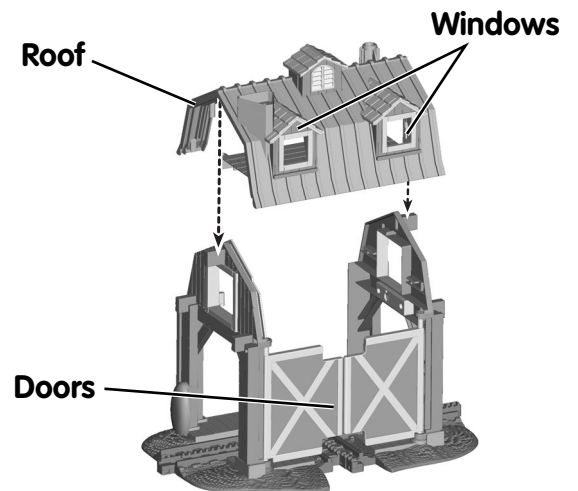
# Assembly

1



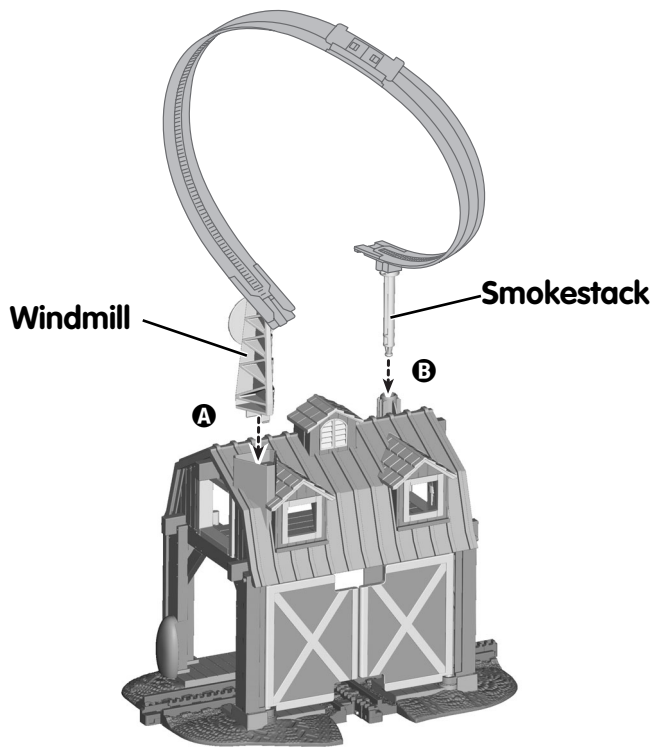
- Fit the barn walls onto the base.
  - Push down on each wall to “snap” in place.
- Hint:** Each wall will only fit on the base one way. If a wall does not seem to fit, try the other wall.

2



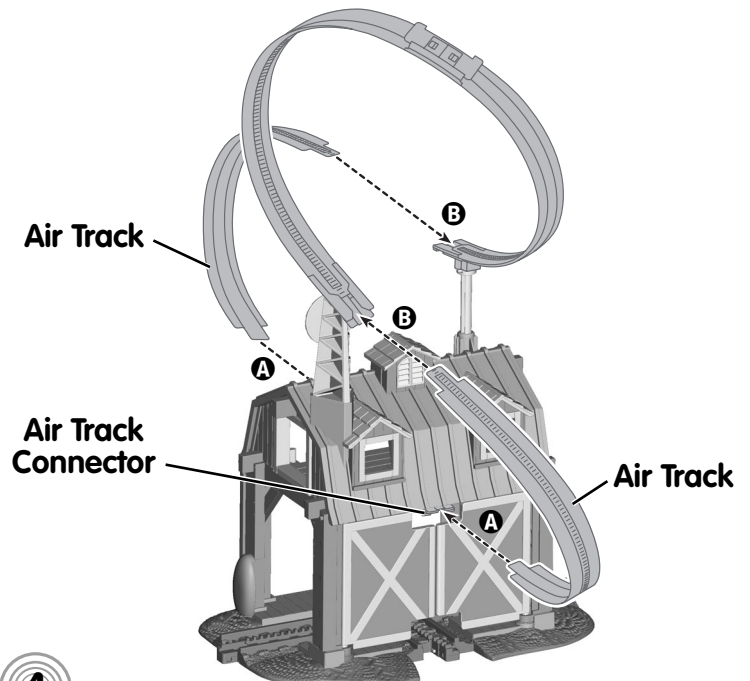
- Fit the roof onto the barn walls.
- Hint:** The windows on the roof should be above the barn doors.

3



- “Snap” the windmill into the roof **A**.
- Hint:** The windmill will only fit in the roof one way. If it does not seem to fit, turn it around and try again.
- The ends of the track must face opposite directions. Twist the track and then insert and “snap” the smokestack into the roof **B**.

4



- First connect an air track to each end of the air track connector **A**.
- Attach the free end of the air tracks to the windmill and smokestack **B**.

# Fisher-Price®

# GeoTrax™

Transportation System

Please keep this instruction sheet for future reference, as it contains important information.

Adult assembly is required. No tools required for assembly.

Wipe the toy with a clean, damp cloth. Do not immerse. Do not drop this toy on a hard surface. This toy has no consumer serviceable parts. Do not take this toy apart.

Visit [www.fisher-price.com](http://www.fisher-price.com)  
to see the entire world  
of GeoTrax® accessories!



## CONSUMER ASSISTANCE

Call toll free: 1-800-432-5437 (US & Canada only)  
M-F 9AM to 7PM / SAT 11AM to 5PM (EST)

[service.fisher-price.com](http://service.fisher-price.com)

Write to us at: Fisher-Price® Consumer Relations,  
636 Girard Avenue, East Aurora, New York 14052.

Hearing-impaired consumers using TTY/TDD equipment,  
please call 1-800-382-7470.

For countries outside the United States:

Canada: Mattel Canada Inc., 6155 Freemont Blvd.,  
Mississauga, Ontario L5R 3W2; [www.service.mattel.com](http://www.service.mattel.com).

Great Britain: Mattel UK Ltd, Vanwall Business Park,  
Maidenhead SL6 4UB, Helpline: 01628 500303,  
[www.service.mattel.com/uk](http://www.service.mattel.com/uk)

Australia: Mattel Australia Pty. Ltd., 658 Church Street,  
Locked Bag #870, Richmond, Victoria 3121 Australia.  
Consumer Advisory Service 1300 135 312.

New Zealand: 16-18 William Pickering Drive,  
Albany 1331, Auckland.

Asia: Mattel East Asia Ltd, Room 1106, South Tower,  
World Finance Centre, Harbour City, Tsimshatsui, HK, China.